

Silicon PNP Power Transistors

2SA969

DESCRIPTION

- With TO-66 package
- Complement to type 2SC2239
- High breakdown votage

APPLICATIONS

- Power amplifier applications
- Driver stage amplifier applications

PINNING(See Fig.2)

PIN	DESCRIPTION
1	Base
2	Emitter
3	Collector

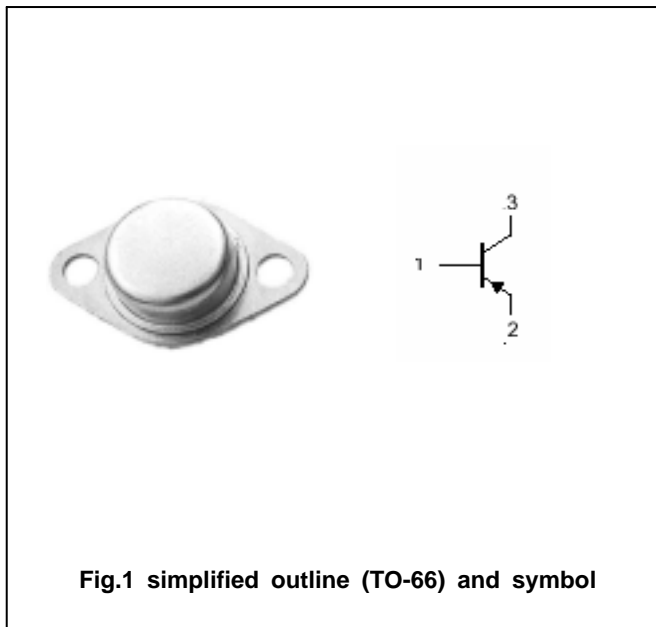


Fig.1 simplified outline (TO-66) and symbol

Absolute maximum ratings(Ta=25)

SYMBOL	PARAMETER	CONDITIONS	VALUE	UNIT
V_{CBO}	Collector-base voltage	Open emitter	-160	V
V_{CEO}	Collector-emitter voltage	Open base	-160	V
V_{EBO}	Emitter-base voltage	Open collector	-5	V
I_C	Collector current		-1.5	A
I_E	Emitter current		1.5	A
P_T	Total power dissipation	$T_C=25$	25	W
T_j	Junction temperature		150	
T_{stg}	Storage temperature		-55~150	

Silicon PNP Power Transistors

2SA969

CHARACTERISTICS

T_j=25 unless otherwise specified

SYMBOL	PARAMETER	CONDITIONS	MIN	TYP.	MAX	UNIT
V _{(BR)CEO}	Collector-emitter breakdown voltage	I _C =-10mA; I _B =0	-160			V
V _{(BR)EBO}	Emitter-base breakdown voltage	I _E =-1mA; I _C =0	-5			V
V _{CEsat}	Collector-emitter saturation voltage	I _C =-500mA; I _B =-50mA			-1.5	V
V _{BE}	Base-emitter on voltage	I _C =-500mA ; V _{CE} =-5V			-1.0	V
I _{CBO}	Collector cut-off current	V _{CB} =-160V ; I _E =0			-1.0	μ A
I _{EBO}	Emitter cut-off current	V _{EB} =-5V; I _C =0			-1.0	μ A
h _{FE}	DC current gain	I _C =-100mA ; V _{CE} =-5V	70		240	
C _{ob}	Output capacitance	I _E =0 ; V _{CB} =-10V, f=1MHz		30		pF
f _T	Transition frequency	I _C =-100mA ; V _{CE} =10V		100		MHz

◆ h_{FE} Classifications

O	Y
70-140	120-240

Silicon PNP Power Transistors

2SA969

PACKAGE OUTLINE

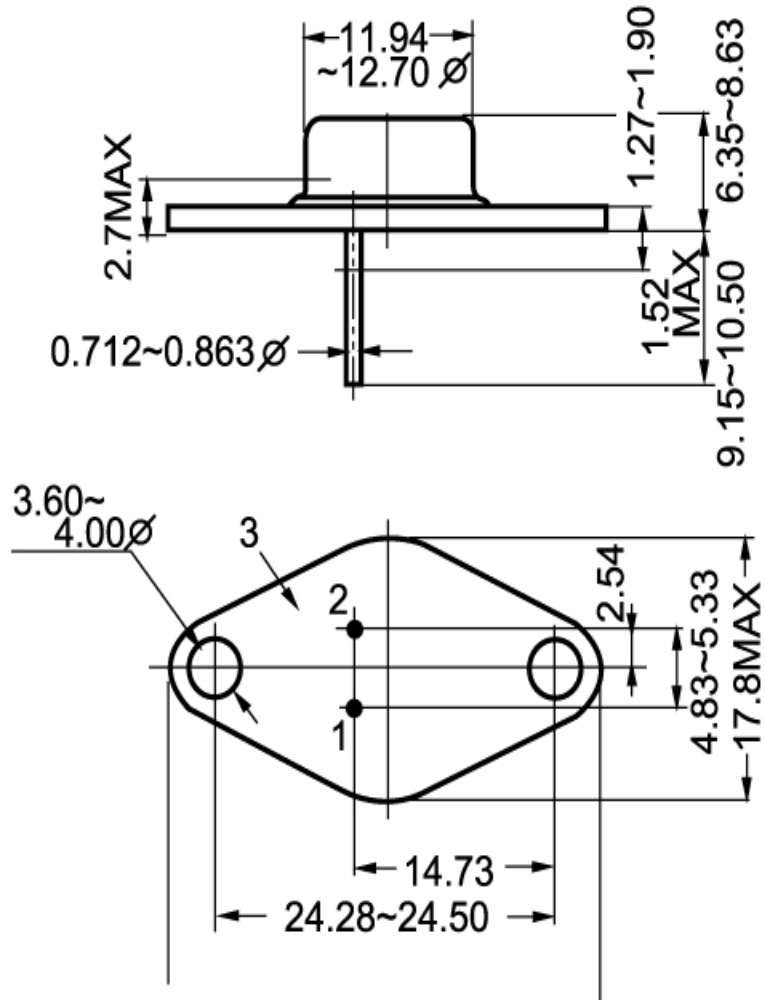


Fig.2 Outline dimensions